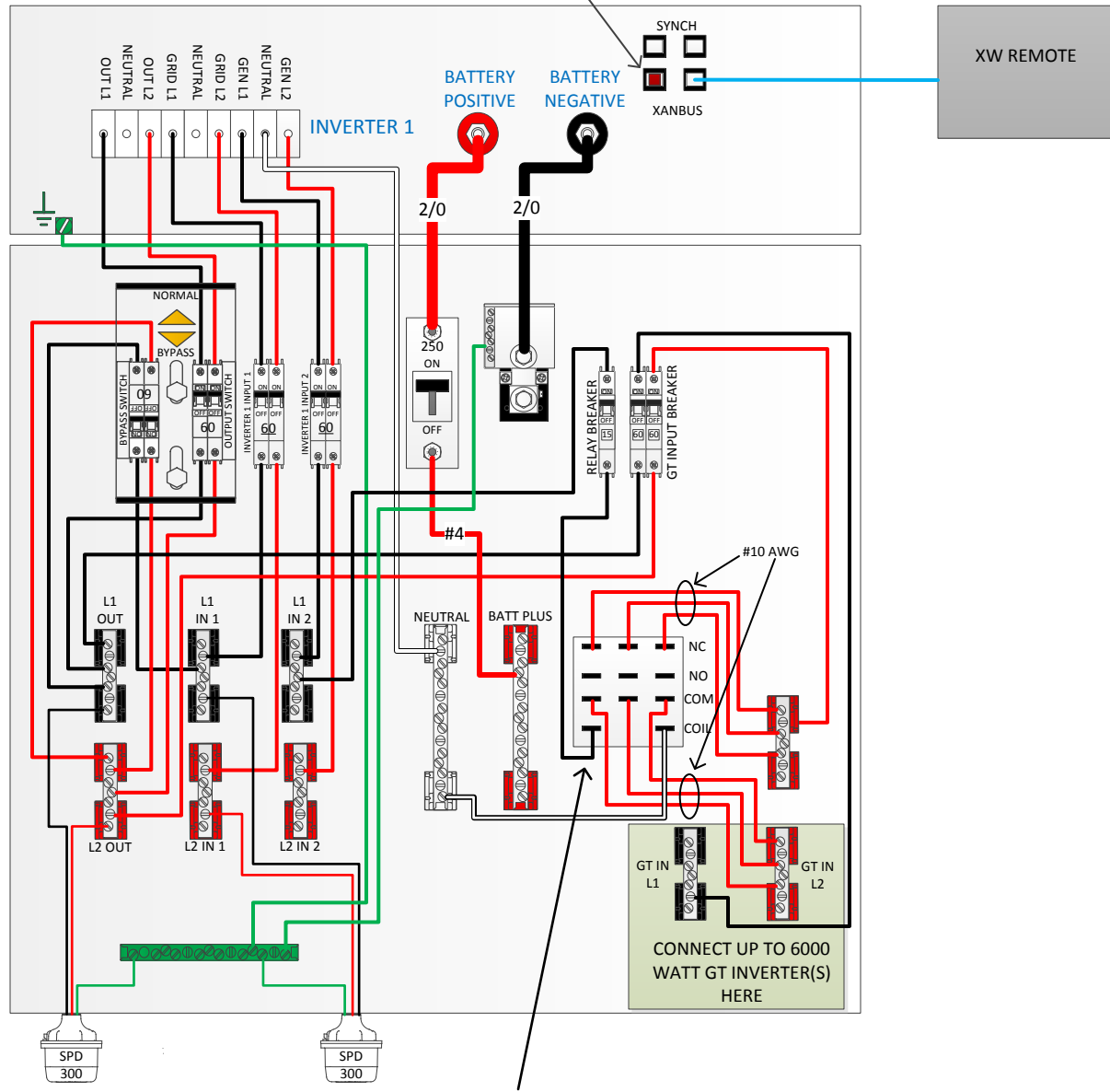


MNXW6048-ACCPL SINGLE XW AC COUPLED 3/17/2014

NOTE: INSTALL
TERMINATOR PLUG
IN UNUSED XANBUS
JACK



NOTE:
ALL AC WIRING TO BE
#6THHN UNLESS
OTHERWISE NOTED

GENERATOR PROTECTION RELAY.
PICKER RELAY
P/N# PC740-3C-C3-120
120V COIL

CONNECT UP TO 6000
WATT GT INVERTER(S)
HERE